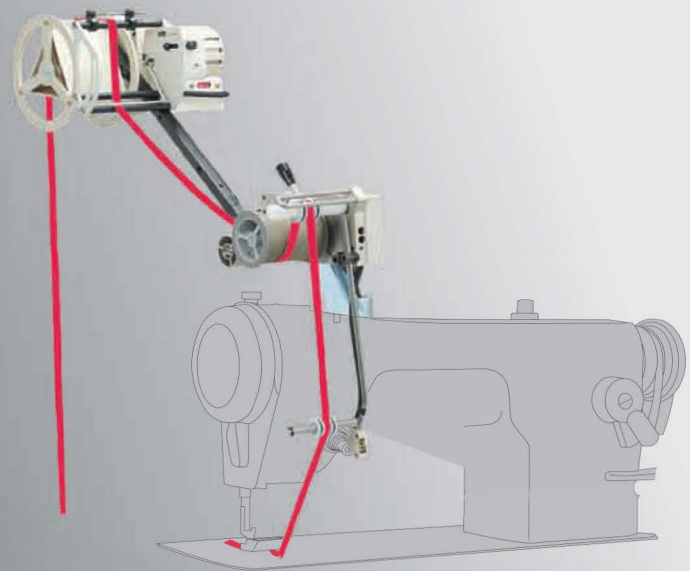


# RACING®

Reliability and Performance you can depend on



From the library of: Superior Sewing Machine & Supply LLC

# 目錄 CONTENTS

## 電腦送帶機系列 COMPUTERIZED METERING DEVICE

MCU 30	01
MC M8	02
MC E8	03
MCA 20K	04
MC S8	05

## 拖輪系列 PULLER ATTACHMENT

PS	06
PL / PL-S1 / PL-S2	
PT / PT-L	
PF / PF-H / PF-HB / PF-RB / PF-UB / PF-FB	07
PY/PY-SP/PY-C	08
PK/PK-SP	
PM	
PG	
PR	09
PO/PO-F	
PW-A/PW-B/PW-L	
配件說明Description of accessory	10
訂貨說明Order guide	11

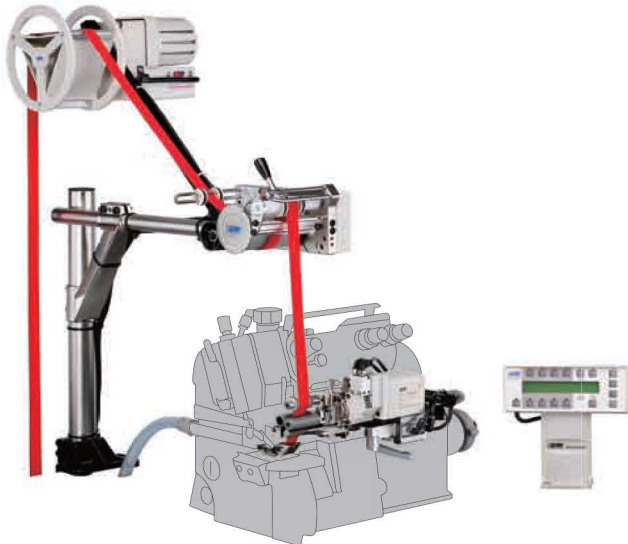
## 車縫輔助裝置系列 SUPPLEMENTARY DEVICE

TC M / TC A / TC S / TC S M	12
GTC A / GTC A /TFU16-3AD / GTC A /TFU16-3AD/STK300	13
GRA-1000	
STK-300	
MDL/MDK	14
TFU / TFS	15
K-1	
RTP / RTF	16
AF10/AF20	
S-1/P-1	17

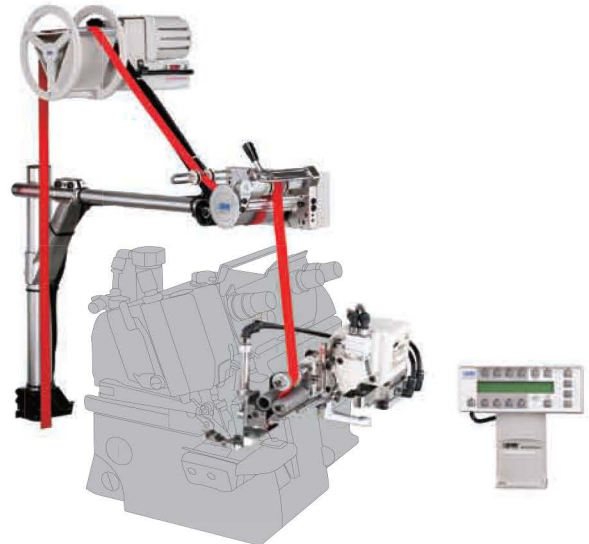
# MCU 30 系列 SERIES ● 微電腦張力控制(車縫尺寸精準)+自動切帶及進帶的功能：可縫製各種鬆緊帶製品，特別是縫製圓筒型製品的接頭，車縫中鬆緊帶可以在壓布腳前自動快速切斷再重疊車縫，接頭平整美觀，有26組工程記憶，每組8段(可連結208段)。

● **Tension type computerized metering device for Precise Tension. With Auto Cutting and Re-Insert. To any Elastic Attaching Sewing. Special for Connecting the Circular Sewing. During the Sewing Operation, It can Auto cut the Tape Fast in front of the Presser Foot for Covering Sewing to Make the Flat and Beautiful joint. 26 programs, 8 tensions available for each program (Max. 208 tensions are available after combination).**

## MCU -30



## MCU -30/TR/RTA



### ● 訂貨說明 Order guide

#### MCU -30/TR/RTA / PEGASUS EX5100 / D.D.MOTOR

- 1
- 2
- 3
- 4
- 5
- 6

1 ● 機型代號：微電腦張力控制(車縫尺寸精準)+自動切帶及進帶的功能  
● Model number for computerized tension type metering device.

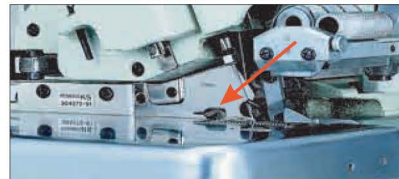
2 ● 送帶寬度(最寬)30mm(1 3/16")  
● Maximum elastic width 30mm (1 3/16")

3 ● 選擇配件  
● Optional attachments.

TR：鬆線裝置：  
Thread Release Device：



● 縫畢時可將車針的縫線放鬆便於切斷  
● Releases the thread for easier thread cutting.



● 適用於有安裝吸入式線頭切斷裝置的包縫車  
● Suitable for overlock machines with vacuum thread cutters.

4 ● 切帶後鬆緊帶張力保持裝置

● Keeps tension on the elastic after cutting.

● 縫製各種鬆緊帶製品，特別是縫製圓筒型製品的接頭，將切斷後的鬆緊帶仍然能夠保持需求的張力，使接頭美觀的重疊  
● For use when sewing circular to keep the tension after the elastic is cut to produce a perfect joint.

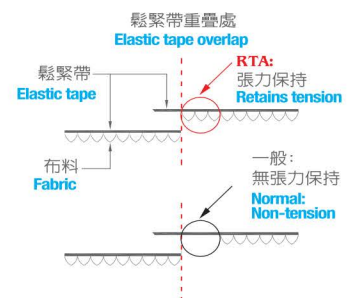
RTA：



RTA-22：  
適用範圍6~22mm(1/4"~7/8")  
for 6mm to 22mm elastic (1/4" to 7/8")

RTA-30：  
適用範圍19~30mm(3/4"~1 3/16")  
for 19mm to 30mm elastic (3/4" to 1 3/16")

RTA：用途說明 USAGE



5 ● 安裝針車廠牌機型  
● Machine brand and model number.

6 ● 使用直驅馬達需告知廠牌機型  
● Please advise the brand and model No. of Direct Drive motor in case sewing machine is with DD motor.

需空壓設備  
Air compressor required

# MC M8 系列 SERIES

張力式 微電腦全方位送帶機 (主機與控制盒分離型)  
 Versatile Tension type computerized metering device  
 ( The main unit is separate from the control box and display panel )

全方位功能 “隨心所欲”

## VERSATILE “TO MEET ALL YOUR NEEDS” FUNCTION



輕薄短小 Compact Size



高效率  
High Efficiency



高品質產品  
High Quality



提高利潤  
Increase Profit

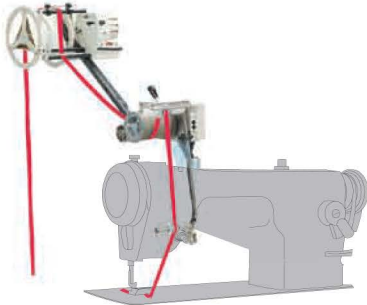


全方位汎用型  
Universal Versatility

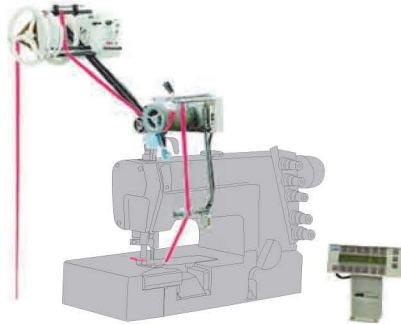


### MC M8U 上送 UPPER FEED

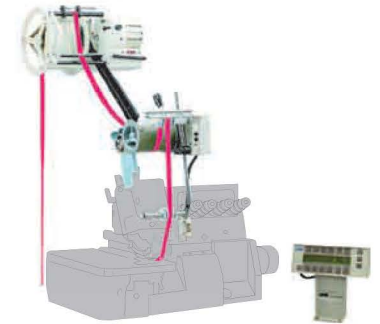
例一：人字車  
EXAMPLE 1 : ZIG-ZAG



例二：飾縫車  
EXAMPLE 2 : COVERSTITCH

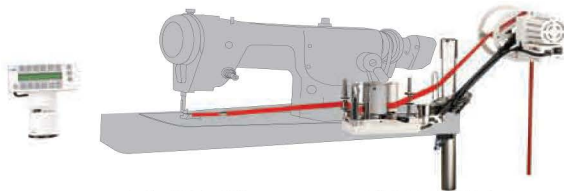


例三：包縫車  
EXAMPLE 3 : OVERLOCK

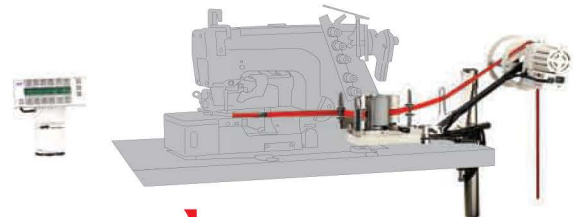


### MC M8S 側送 SIDE FEED

例一：人字車  
EXAMPLE 1 : ZIG-ZAG



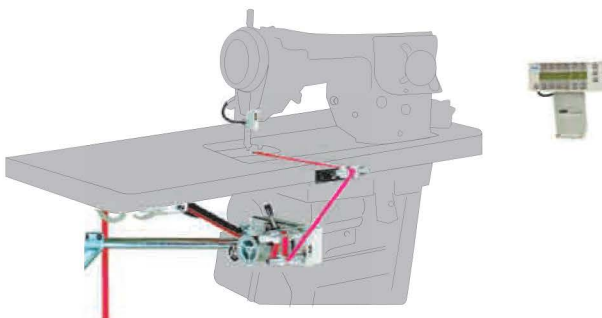
例二：飾縫車  
EXAMPLE 2 : COVERSTITCH



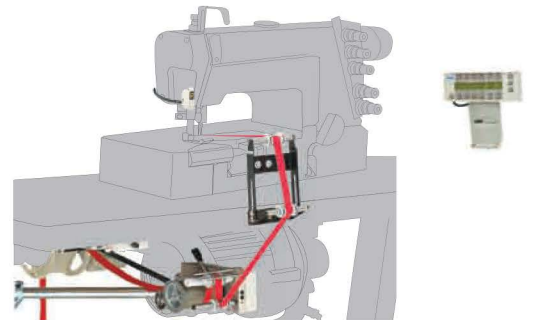
【 註：MC M8U (上送) 與MC M8S (側送) 共用  
 Remark : MC M8U (upper feed) and MC M8S (side feed) are interchangeable 】

### MC M8B 下送 BOTTOM FEED

例一：人字車  
EXAMPLE 1 : ZIG-ZAG



例二：飾縫車  
EXAMPLE 2 : COVERSTITCH



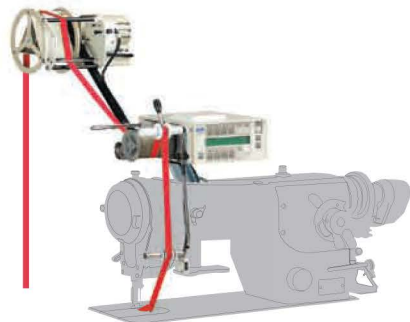
※請參照第3頁產品說明  
 ※PLEASE REFER TO PRODUCT SPEC. P. 3

# MC E8U 系列 張力式 上送專用，微電腦全方位送帶機 (主機與控制盒合併型，安裝簡便)

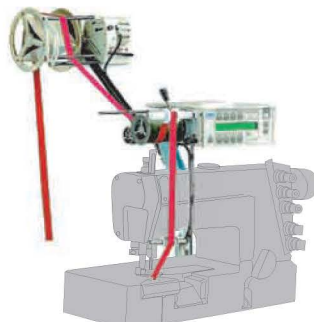
Tension type computerized metering device for upper feed only.  
(The main unit, control box and panel are all together in one unit)

## MC E8U 上送 UPPER FEED

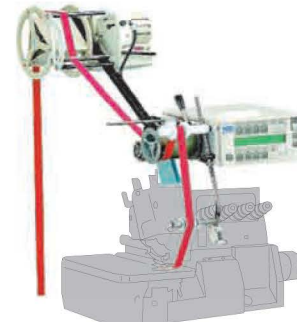
例一：人字車  
EXAMPLE 1 : ZIG-ZAG



例二：飾縫車  
EXAMPLE 2 : COVERSTITCH



例三：包縫車  
EXAMPLE 3 : OVERLOCK



### 訂貨說明 Order guide

## MC M8 U - / SY / D.D.MOTOR

- 1 2 3 4
- 1 ● 機型代號：微電腦多功能鬆緊帶控制裝置  
● Model for Multi- Function computerized tension type metering device.

MC M8 系列：微電腦全方位送帶機 (主機與控制盒分離型)。  
MC M8 SERIES : Computerized tension type metering device for upper, bottom, side or rear feeds.  
(The main unit is separate from the control box and the display)

MC E8U 系列：微電腦上送型 (主組機與控制面板合併型，安裝簡便)。  
MC E8U SERIES : Computerized tension type metering device for upper feed only.  
(The main unit, the control box and the panel are all in one unit)

- 2 ● 分類：  
● Feed Type :

U : 上送  
U : Upper Feed  
S : 側送  
S : Side Feed

註：MC M8U (上送)與 MC M8S (側送) 共用  
Remark : MC M8U (upper feed) and MC M8S (side feed) are interchangeable

- B : 下送  
B : Bottom Feed

- 3 ● 配件：  
● Accessory :

SY : 安裝於皮帶輪端的計數器，計算車縫的針數自動換段 (選擇配件)  
SY : Fits on the machine hand wheel to control the auto section changes. (optional)



◎ 標準配件  
Standard Parts

### 規格表 Specifications

基座固定方式 Mount	車板 Table
工程記憶 Program & Memory	26組 每組8段 (可連結，最多208段) 26 programs, 8 tensions in each program (Maximum 208 tensions when the programs are combined)
每針送帶量 Feed Range/Per Stitch	0.4~4.0mm
最高速度 MAX. Speed	可配合各種縫紉機轉速 Unlimited
SY 計數器 Stitch Counter	選擇配件 Optional
E8 膝動換段開關 Knee Switch for Manual Section Change	◎
E10 手動換段 (LED+換段指示燈) Section Change by Finger (LED+Indicate Lamp)	選擇配件 Optional
LED 換段指示燈 Indicator display	標準配件 (註：MCM8B 下送 不附) Standard (Note: MC M8B bottom feed does not include this display.)
E9 無張力送帶 Free Tension	◎
送帶寬度最寬 MAX. Feeding width	64mm (2 1/2" inches)
電源 Power	AC 100~240V 自動切換 AC 100~240V Auto Switching

- 4 ● 使用直驅馬達需告知廠牌機型  
● Please advise the brand and model No. of Direct Drive motor in case sewing machine is with DD motor.

### 配件說明 Accessory descriptions for MC series



E8  
● 膝動換段開關 (標準配件)：工程換段用。  
● Knee Switch (Standard) : For manual section changes.



E10  
● LED + 手動換段 (選擇配件) 體積小，操作簡便。  
● LED and manual section change (Optional Parts): This tiny display shows the current section and includes a manual section changes switch.



LED  
● 換段指示燈 (標準配件) 註：MCM8B (下送) 不附  
● LED Indicator (Standard Parts)  
(Note: MC M8B bottom feed does not include this display)



E9  
● 無張力開關 (標準配件)  
● Free Tape Switch (Standard Parts)



E6-1  
● 懸吊無張力開關 (選擇配件)  
● Foot pedal chain switch for free tape (optional)

# MCA 20 SERIES

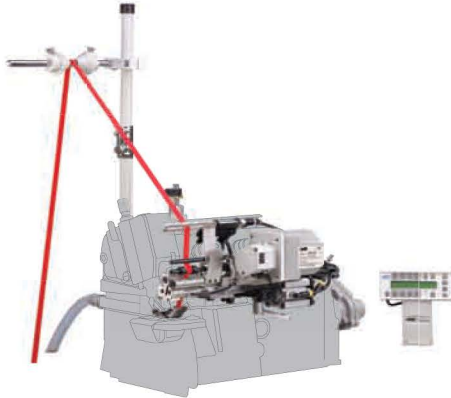
●自動切帶及送帶的功能：可縫製各種鬆緊帶製品，特別是縫製圓筒型製品的接頭，車縫中鬆緊帶可以在壓布腳前自動快速切斷再重疊車縫，接頭平整美觀，有26組工程記憶，每組8段（最多可連結208段）。

●Auto Cutting and Re-Insert : To any Elastic Attaching Sewing. Special for Connecting the Circular Sewing. During the Sewing Operation, It can Auto cut the Tape Fast in front of the Presser Foot for Covering Sewing to Make the Flat and Beautiful joint. 26 programs, 8 tensions available for each program (Max. 208 tensions are available after combination).

## MCA 20K-38 MCA 20K-64

包縫車用  
FOR OVERLOCK

## MCA 20K-38/TR/TFU/RTA



特殊機型 · 訂貨生產  
AVAILABLE FOR CUSTOM-MADE

節縫車用  
FOR COVERSTITCH  
人字車用  
FOR ZIG-ZAG

範例  
EXAMPLE



### ●訂貨說明 Order guide

#### MCA20K- 38/TR/TFU/RTA/ PEGASUS EX5100 / D.D.MOTOR



- 1 ●機型代號：微電腦多功能鬆緊帶控制裝置  
●Model for Multi-Function Computerized Elastic Metering Device :

- 2 ●送帶寬度(最寬)  
●Feeding width Max in mm and inches.

機型代號	專用壓腳 Exclusive Presser Foot	線用 Thread	適用範圍 Feeding width	標準配件 Standard Parts	零件編號 Part No
38: 38mm ( 1 1/2")		三線用 For 3 thread	3.5~13mm(1/4")	標準配件	163
		四線用 For 4 thread	8~26mm(1")	選擇配件	164
64: 64mm ( 2 1/2")		三線用 For 3 thread	19~38mm( 1 1/2")	標準配件	165
		四線用 For 4 thread	25~50mm( 2")	選擇配件	166
19: 19mm (3/4")			38~64mm( 2 1/2")	標準配件	167
特殊機型 · 訂貨生產 AVAILABLE FOR CUSTOM-MADE					

- 3 ●選擇配件  
●Optional Parts

TFU：上送型送料機，參考P.15  
Upper Tape Feeder · Please refer to P.15



TR：鬆線裝置：  
Thread Release Device :



- 縫畢時可將車針的縫線放鬆便於切斷  
●Releases the thread for easier thread cutting.



- 適用於有安裝吸入式線頭切斷裝置的包縫車  
●Suitable with overlock machines with vacuum thread cutters.

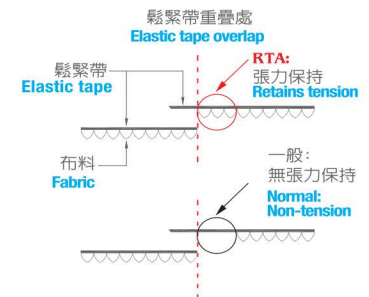
- 4 ●切帶後鬆緊帶張力保持裝置  
●Keeps tension on the elastic after cutting.  
●縫製各種鬆帶製品，特別是縫製圓筒型製品的接頭，將切斷後的鬆緊帶仍然能夠保持需求的張力，使接頭美觀的重疊  
●For use when sewing circular to keep the tension after the elastic is cut to produce a perfect joint.

#### RTA:



RTA-22 :  
適用範圍6~22mm(1/4"~7/8")  
for 6mm to 22mm elastic (1/4" to 7/8")  
RTA-38 :  
適用範圍19~38mm(3/4"~1 1/2")  
for 19mm to 38mm elastic (3/4" to 1 1/2")  
RTA-50 :  
適用範圍25~50mm(1"~2")  
for 25mm to 50mm elastic (1" to 2")  
RTA-64 :  
適用範圍38~64mm( 1 1/2"~2 1/2")  
for 38mm to 64mm elastic ( 1 1/2" to 2 1/2")

#### RTA：用途說明 USAGE



- 5 ●安裝針車廠牌機型  
●Machine brand and model number.

- 6 ●使用直驅馬達需告知廠牌機型  
●Please advise the brand and model No.of Direct Drive motor in case sewing machine is with DD motor.

需空壓設備  
Air compressor required

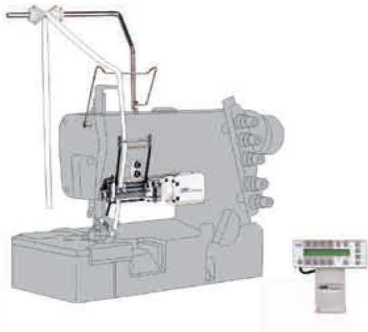
# MC S8 系列 SERIES

- 體積小，有八段可供選擇不同鬆緊度，送帶精確度高。
- Compact size. 8 available sections, with precise tension control, are available.
- 一般離合器馬達及定位馬達之縫紉機均可使用。
- Can be used with any clutch or position motor.

- 泛用型各種廠牌機型均可安裝。
- Universal mount can easily be set-up on any machine.

- 適用於泳裝、韻律裝、內衣褲...等，各種高級產品均可輕易完成。
- Ideal for attaching elastic to necks, leg openings of swimsuits or women's panties, leotards, underwear, briefs and sportswear.

## MC S8C-57 飾縫車用 FOR COVERTITCH



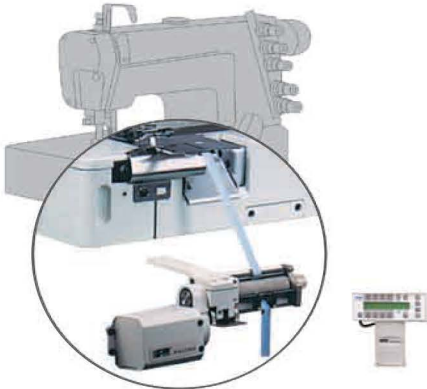
## MC S8K-57 包縫車用 FOR OVERLOCK



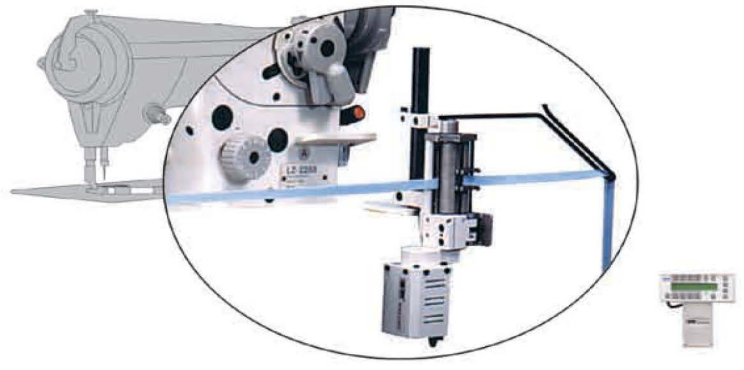
## MC S8Z-57 人字車用 FOR ZIG-ZAG



## MC S8B-57 下送用 FOR BOTTOM FEED



## MC S8S-57 側送用 FOR SIDE FEED



### ● 訂貨說明 Order guide

#### MCS8 C PEGASUS W562 D.D.MOTOR

- 1 ● MC S8: 送帶最大寬度57mm ( 2 1/4" ) 有八段可供選擇不同鬆緊度。  
Feeding width up to 57mm(2 1/4") Up to 8 Separate Sections are available with Precise Tension Control.
- 2 ● C: 飾縫車用 ● Coverstitch ● S: 側送 ● Side Feeding  
● K: 包縫車用 ● Overlock ● Z: 人字車用 ● Zig-Zag  
● B: 下送 ● Bottom Feeding
- 3 ● 安裝針車廠牌機型 ● Sewing Machine Brand And Model Number.
- 4 ● 使用直驅馬達需告知廠牌機型  
● Please advise the brand and model No. of Direct Drive motor in case sewing machine is with DD motor.

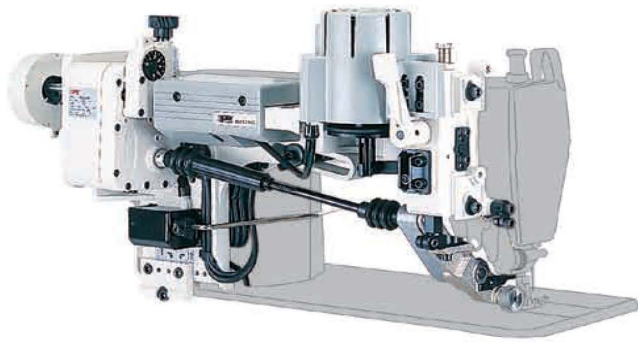
### ● 規格表 Specifications

功能 Function	機型 Model	MC S8 系列 Series				
		MC S8Z	MC S8K	MC S8C	MC S8B	MC S8S
底座固定方式 Bracket mounting location		機頭 Machine Head	車板 Table	機頭 Machine Head	車板 Table	車板 Table
送帶量 (mm) Feed Range (mm)/per stitch		0.4~3.8				
最高速度 MAX. Speed		6000/rpm (鬆緊帶寬度小於40mm、針目每針小於3.5mm/針) (The MAX. Width for Tape is 40mm, The MAX. Stitch/Per. is 3.5mm)				
電源 Power		AC100-240V自動切換 AC 100-240V AUTO SWITCHING				

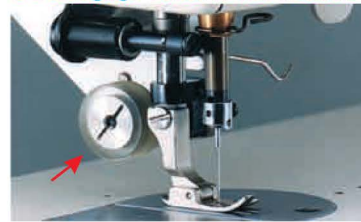
# 拖輪系列產品

## PULLER ATTACHMENT

**PS** 小輪、單針、雙針車用(標準型)  
FOR SINGLE OR TWIN NEEDLE(REGULAR) SMALL ROLLER

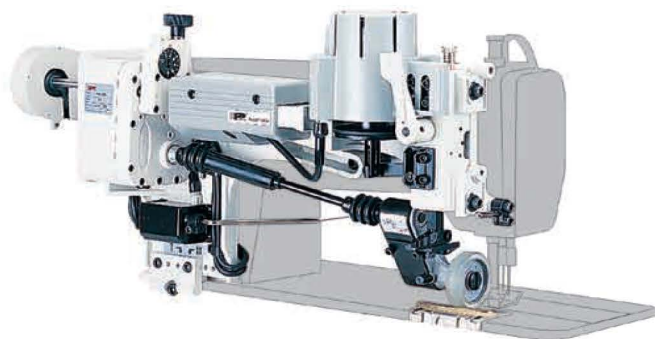


- 拖輪不用時可以提升
- Disengage roller if not needed

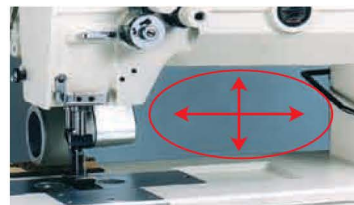


- 獨特設計，拖輪與車針距離超近，適合薄物，短距離即彎弧縫製。
- Extremely close pulling, facilitates curve and short sewing on thin materials.

**PL** 單針、雙針車用(標準型)  
FOR SINGLE OR TWIN NEEDLE(REGULAR)

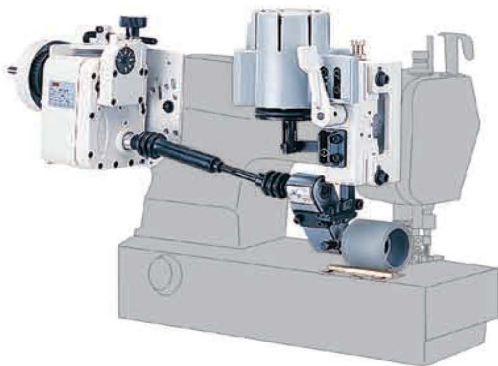


- 寬廣的操作空間
- With Large Space for Operation

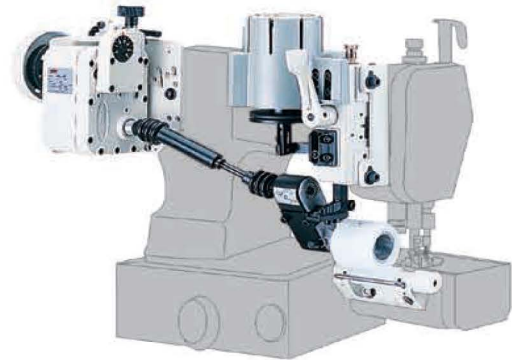


- 具多種選擇性拖輪，能適應不同質料之車縫。
- With various optional rollers for different kinds of materials.

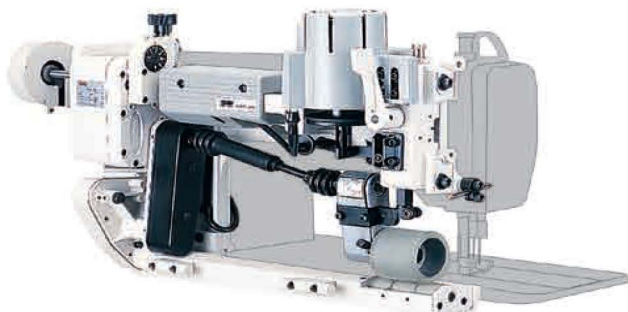
**PL-S1** 飾縫車用  
FOR FLAT BED COVERSTITCH



**PL-S2** 筒型飾縫車用  
FOR CYLINDER BED COVERSTITCH

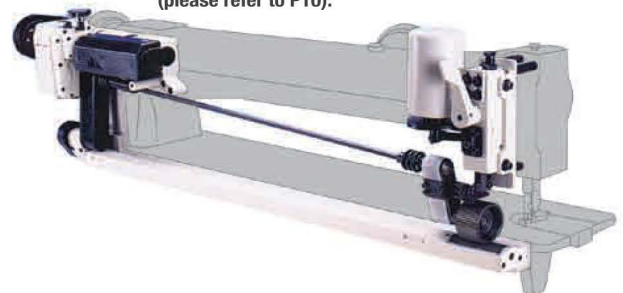


**PT** 單針、雙針車用·上下輪驅動(標準型)  
FOR SINGLE OR TWIN NEEDLE WITH UPPER AND LOWER ROLLERS(REGULAR)



**PT-L** 長臂型·接受訂貨生產  
FOR LONG ARM, AVAILABLE FOR CUSTOM-MADE

訂貨時告知拉布輪提昇高度及操作空間(參照P10)  
Please advise the roller lifting height and operation space (please refer to P10).



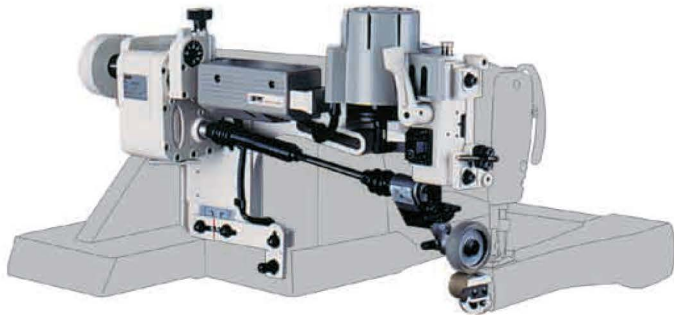
※請參照第10、11頁產品說明  
※ PLEASE REFER TO PRODUCT SPEC. PER P.10 & P.11

From the library of: Superior Sewing Machine & Supply LLC

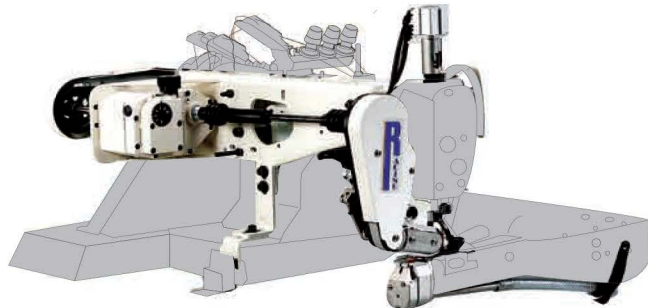


**腕型車系列 FOR FEED-OFF-THE-ARM**

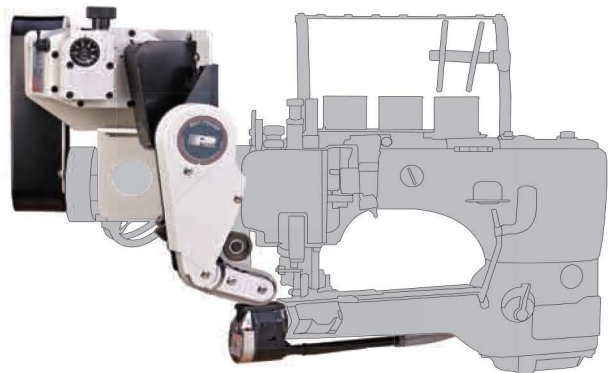
**PF** 一般布料用・上輪驅動  
For General Fabric. Top Driven Roller  
**PF-H** 厚物用・上輪驅動  
For Heavy Duty. Top Driven Roller



**PF-HB/ECV/AF** 厚物，極厚物用皮帶式拖輪 附厚物專用1/8"x1/8"針具組  
(選擇性配件3/16"x3/16"針具組)  
Belt type puller for Extra Heavy Duty with gauge set 1/8" x 1/8" for heavy duty  
(Optional parts gauge set 3/16" x 3/16")  
**PF-RB/ECV/AF** 一般布料用皮帶式拖輪  
BELT TYPE PULLER FOR REGULAR FABRIC



**PF-FB/EFV** 四針六線用皮帶式拖輪  
Belt Type Puller for Flat-Seamer



**PF-UB/EFV/AF** 厚物，極厚物用皮帶式拖輪  
(針具組: 9/64"x9/64"或1/8"x1/8"擇一選用)  
Belt Type Puller for Extra Heavy Duty  
(Gauge Set: 9/64"x 9/64" or 1/8"x1/8" Alternative)



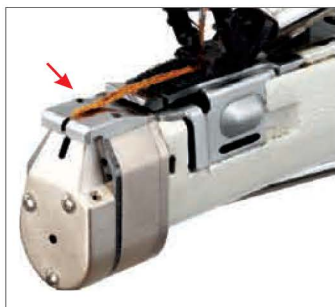
適用機型: U.S. 35800  
Adaptable Machine Model: JUKI MS3580  
PEGASUS FV2  
YAMATO DT-30  
KANSAI SX6803

**配件說明(選擇配件) Description of accessory (Optional parts)**

本裝置可單獨購買  
This device can be ordered individually.

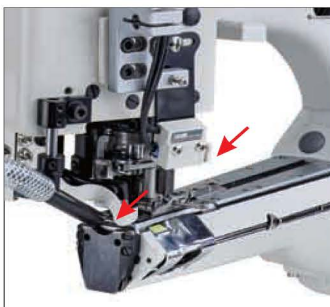
電動式自動切線裝置  
Electronic chain cutter

**ECV**: 腕型車用  
Feed-Off-The-Arm  
**EFV**: 四針六線用  
Flat-Seamer

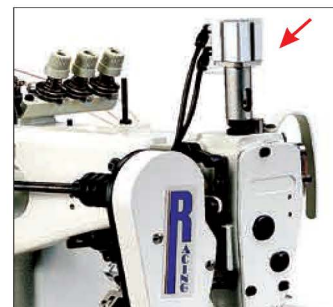


開刀式光電氣動切刀裝置  
Pneumatic Guillotine Cutter

**GFV-8**: 切刀寬度(最寬8MM)  
Cutter Width Max. 8mm  
**GFV-16**: 切刀寬度(最寬16MM) 潛水衣切帶用  
Cutter Width Max. 16mm for Diving Suit



**AF** 氣動式壓腳提升裝置  
Pneumatic presser foot



※請參照第10、11頁產品說明  
※PLEASE REFER TO PRODUCT SPEC. P.10 & P.11

需空壓設備  
Air compressor required

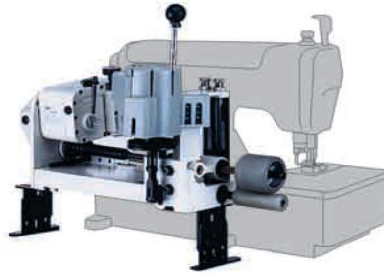
# 拖輪系列產品

## PULLER ATTACHMENT

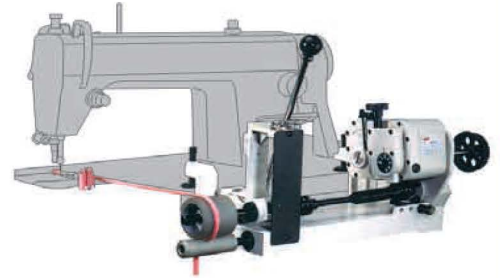
**PY** 單針、雙針車用·上下輪驅動  
FOR SINGLE OR TWIN NEEDLE MACHINES.  
PULLER WITH UPPER AND LOWER ROLLERS



**PY-C** 飾縫車用  
FOR COVERSTITCH



**PY-SP** 前拉式(義大利麵專用)  
FRONT PULLER  
(FOR SPAGHETTI SEWING)



**PK** 包縫車用·上下輪驅動  
FOR OVERLOOK MACHINES. PULLER WITH UPPER AND LOWER ROLLERS



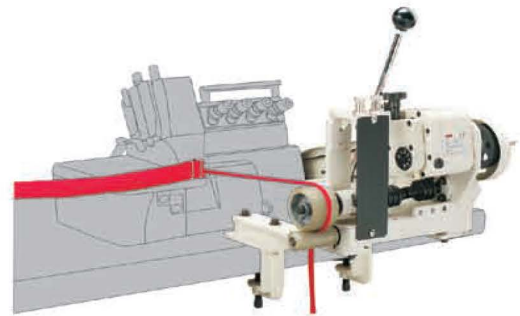
● 浮出式  
● Floating type

● 適用於薄到極厚物直線縫製。  
● Suitable for thin to extremely thick materials in straight sewing.



● 下沉式  
● Submerged type

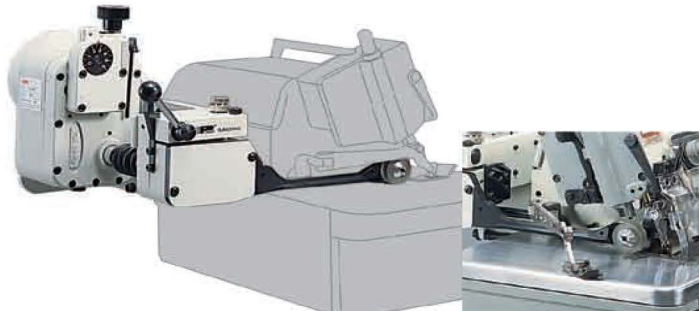
**PK-SP** 前拉式(義大利麵專用)  
FRONT PULLER (FOR SPAGHETTI SEWING)



**PM** 側輪(厚物用)  
SIDE ROLLER (FOR HEAVY DUTY)



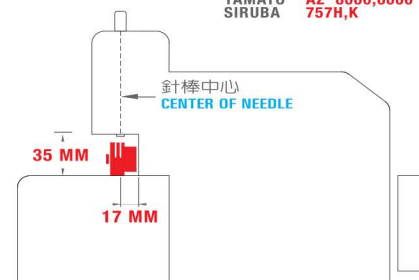
**PG** 包縫車用·小輪(薄物用)  
FOR OVERLOCK WITH SMALL ROLLER (For thin material)



【本拖輪不能裝在附有水平或垂直式自動切線裝置的包縫車上  
This puller is unable to install onto overlock machine with either vertical or horizontal automatic thread-chain cutter.】

**PG** 系列所需要的基本空間  
Space Limitation For PG Series

● 適用機型：  
● Available Models :  
例：  
Example :  
JUKI MO 3000,6000  
PEGASUS EX, MX, M  
BROTHER N, V  
YAMATO AZ 8000, 6000  
SIRUBA 757H, K



※請參照第10、11頁產品說明  
※ PLEASE REFER TO PRODUCT MANUAL

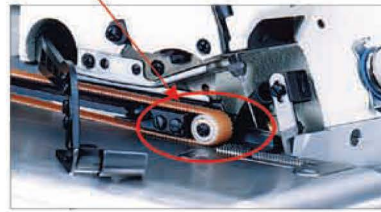
From the library of: Superior Sewing Machine & Supply LLC

需空壓設備  
Air compressor required

**PR** 包縫車用・皮帶後送(薄物用)  
FOR OVERLOCK MACHINES. PULLER WITH A REAR DRIVEN BELT



- 不受空間限制，各種廠牌機型均可安裝。
- Suitable for every machine without space limitation.



- 獨特設計，皮帶與車針距離超近。
- 適用於柔軟光滑、易皺之薄物。
- Close proximity of rear drive belt and needle improves sewing performance.
- Suitable for silky and easy-pucker thin materials.

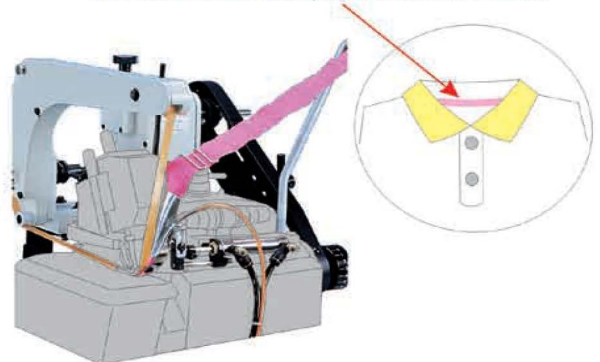
**PO** 三、四線包縫車用・上皮帶送  
FOR 3 & 4 THREAD OVERLOCK MACHINES. PULLER WITH TOP DRIVEN BELTDRIVE BELT

【五線包縫車不適用】  
[Not suitable for 5 Thread]



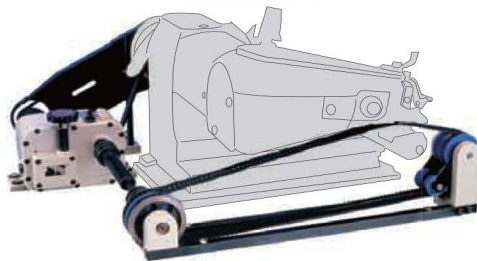
- 上皮帶驅動，適用於各種編織毛領、多層銀澀及易滑之布料。
- Simple installation with top drive belt. Suitable for different knitting collars, multi-layer tough abrasive and silky materials.

**PO-F** 三、四線包縫車用(有領T恤專用)附氣動式包邊器  
FOR 3 & 4 THREAD OVERLOCK MACHINES (FOR SEWING THE COLLARS OF A KNIT SHIRT) WITH AN AIR TYPE FOLDER

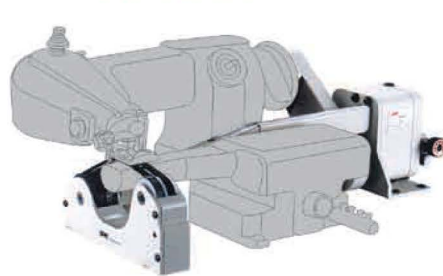


**PW** 手臂可動型盲縫車用(適用於潛水衣布料)  
FOR BLINDSTITCH MACHINE WITH MOVEABLE ARM  
(Suitable for diving-suit material)

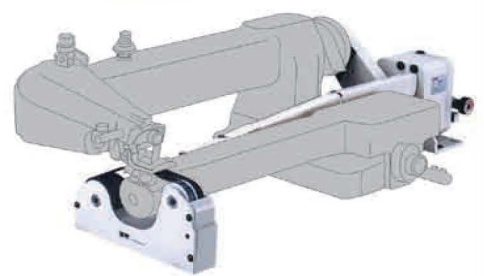
**PW-A** : 長皮帶型  
LONG BELT TAPE



**PW-B** : 短皮帶型  
SHORT BELT TAPE



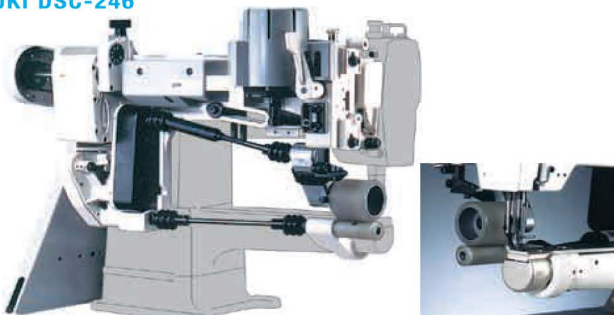
**PW-L** : 長臂型車用  
LONG ARM



**特殊機型・訂貨生產**  
Custom-made Order

範例  
EXAMPLE

JUKI DSC-246



範例  
EXAMPLE

DURKOPP 869



※請參照第10、11頁產品說明  
※PLEASE REFER TO PRODUCT MANUAL

From the library of: Superior Sewing Machine & Supply LLC

需空壓設備  
Air compressor required

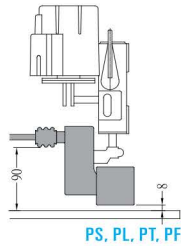
## 拉布輪提昇高度及操作空間說明

### Description of Roller lifting Height and Operation Space for Puller

#### 電動提昇 Solenoid Lifting

A: 標準配件:  
Standard Part:

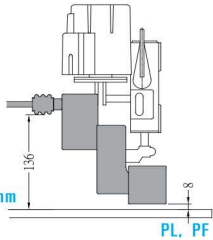
提昇高度: 8mm  
操作空間: 90mm  
Lifting Height: 8mm  
Operation Space: 90mm



PS, PL, PT, PF

B: 選擇配件:  
Optional Part:

提昇高度: 8mm  
操作空間: 136mm  
Lifting Height: 8mm  
Operation Space: 136mm

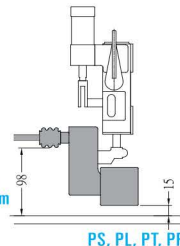


PL, PF

#### 氣動提昇 Pneumatic Lifting

C: 選擇配件:  
Optional Part:

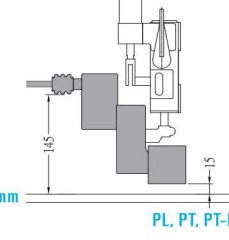
提昇高度: 15mm  
操作空間: 98mm  
Lifting Height: 15mm  
Operation Space: 98mm



PS, PL, PT, PF

D: 選擇配件:  
Optional Part:

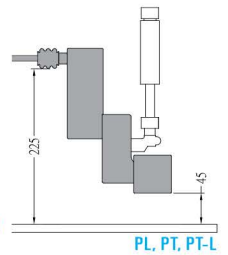
提昇高度: 15mm  
操作空間: 145mm  
Lifting Height: 15mm  
Operation Space: 145mm



PL, PT, PT-L

E: 選擇配件:  
Optional Part:

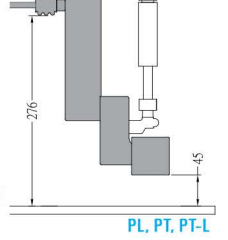
提昇高度: 45mm  
操作空間: 225mm  
Lifting Height: 45mm  
Operation Space: 225mm



PL, PT, PT-L

F: 選擇配件:  
Optional Part:

提昇高度: 45mm  
操作空間: 276mm  
Lifting Height: 45mm  
Operation Space: 276mm



PL, PT, PT-L

## 拖輪系列配件說明

### Description of accessories for pullers

拉布輪提昇組: 當縫紉機壓布腳提昇或自動、手動回針時, 拉布輪會同時提昇。  
(附有二組輸入接點, 可接收自動或觸動回針及壓布腳自動提升電磁鐵信號。)

**Roller Lifter: The puller roller will lift at the same time as the foot lifts on the machine.**  
**This will work on an auto foot lift machine or with a manually lifted foot.**  
(The puller comes complete with the micro switches and all the cables required.)

允許此配件不在購買範圍, 不需要此配件時在訂單上註明  
『不需要拉布輪自動提昇組』, 可節省採購成本。

If you do not need the Roller Lifter, please indicate this on your order as the cost will be reduced.

電動提昇組:  
(標準配件)  
Solenoid Lifter:  
(Regular Parts)



氣動提昇組:  
(選擇配件)  
Pneumatic Lifter:  
(Optional Parts)



● PW、PR、PG、PO不附電控提昇組  
● The roller Lifter is not included for PW, PR, PG, PO.

B座: 適用於針車背部有回針電磁鐵  
B Base: In case the Reverse Solenoid is at the back of Machine.

例、  
EX. BROTHER LT2-B842-403

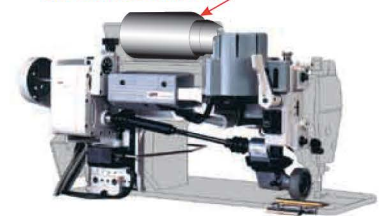


PS-B, PL-B, PT-B

AK移位組: 適用於針車背部有壓布腳電動提升電磁鐵

AK Relocation Set: If the foot lift solenoid is located on the back of the machine a AK relocation set is required.

例、  
EX. JUKI DDL-5550N-AK



JUKI AK-34 35 64 85 88 89

## 拖輪規格表

### PULLER Specification List

機型 Model	PS	PL PL-B	PL-S1 PL-S2	PT PT-L	PF/PF-H PF-HB PF-RB PF-UB PF-FB	PY PY-C PY-SP	PK PK-SP	PM	PG	PR	PO PO-F	PW-A PW-B PW-L
功能 Function	上輪 Upper Roller	上輪 Upper Roller	上輪 Upper Roller	上下輪 Upper & Lower Rollers	上輪 Upper Roller	上下輪 Upper & Lower Rollers	上下輪 Upper & Lower Rollers	上輪 Upper Roller	上輪 Upper Roller	後皮帶 Rear Belt	上皮帶 Upper Belt	下皮帶 Lower Belt
變速機規格 Transmission Type	P-2	P-2	P-2	P-2	P-2	P-2	P-2	P-2	P-2	P-2	P-2	P-1
拉布輪與車針距離(最小)mm The distance Between the Roller and Needle(MIN.)mm	28	50	65	130	PF/PF-H: 60 PF-HB: 45 PF-RB: 25 PF-UB: 32 PF-FB: 50	150	200	—	40	40	—	—
拉布輪規格(標準配件) Roller Type (Regular)	P2510	P5515	P5550 T5550 T2560	P5550 P2580	PF: P5515 PF-H: S6015 PF-HB/RB PF-UB :210L17 PF-FB	P5550K P2580K	P5535K P2560K	P4512	P2811	335DMXL08	475DMXL10	PW-A:352DXL037 PW-B:180XL037 PW-L
拉引長度(mm) Puller Length (mm)	0.3~6	0.3~6	0.3~6	0.3~8	PF: 0.3~6 PF-H: 0.3~8 PF-UB: 0.3~4.5 PF-FB: 0.3~4	0.3~6	0.3~6	0.3~6	0.3~6	0.3~6	0.3~6	0.3~6
最高縫速(連續車縫/間歇車縫) Sewing MAX. Speed (Continuous/Intermittent)	4000/6000			PT:4000/6000 PT-L: 3000/4000	3000/4500	4000/6000					3000/4000	
電源 Power	AC 100~240V 自動切換 AC 100~240V AUTO SWITCHING											

※拖輪系列產品說明  
※ PULLER SERIES-PRODUCT FROM

From the library of: Superior Sewing Machine & Supply LLC

需空壓設備  
Air compressor required

# 拖輪訂貨說明

## PULLER Order Guide

### PL P 5515 BROTHER LT2 B842 - 401 D.D.MOTOR

1 2 3 4 5 6

#### 1 ● 機型代號說明 ● Puller Model Table

機型 MODEL	適用針車 ADAPTABLE MACHINE	
PS	單針、雙針 Single or Twin Needle	輪徑25MM，輪子與車針距離僅28-30MM，適用於薄布料短距離車縫 Diameter 25mm, 28-30mm Between Needle and Roller. For Short Thin Material, Curve and Short Sewing.
PL	單針、雙針 Single or Twin Needle	輪徑55MM，輪子與車針距離50MM以上，適用於一般厚、薄布料 Roller diameter 55mm. Distance between the roller and the needle is more than 50mm. For general material.
PLS1	飾縫車 Flat Bed Coverstitch	專用基座，輪徑55MM，輪子與車針距離65MM以上，適用於一般厚、薄布料 Roller diameter 55mm. Distance between the roller and the needle is more than 65mm. For general material.
PLS2	筒型飾縫車 Cylinder Bed Coverstitch	專用基座，附下輪，輪徑55MM，輪子與車針距離65MM以上，適用於一般厚、薄布料 Special Bracket. Lower Roller. Diameter 55mm, More than 65mm Between Needle and Roller. For General Material.
PT	單針、雙針 Single or Twin Needle	上下輪驅動拉力特強，輪徑55MM，輪子與車針距離130MM以上，適用於薄物到極厚物，長距離車縫 Powerful Upper and Lower Rollers, Diameter 55mm, More than 130mm Between Needle and Roller. For General Material.
PTL	長臂型單針、雙針 long arm Single or Twin Needle	為長臂型 Same as PT but for long arm machines.
PF		輪徑55MM，輪子與車針距離60MM以上，為一般布料用 Roller diameter 55mm. Distance between the roller and the needle is more than 60mm. For general material.
PF-H		為厚物專用，功能同PF Same as PF but for heavy materials.
PF-HB	腕型車用 Feed-Off-Arm	厚物，極厚物用皮帶式拖輪 Belt driven puller for use on heavy or extremely heavy materials.
PF-RB		一般布料用皮帶式拖輪 Belt driven puller for use with regular fabric.
PF-UB		厚物，極厚物用皮帶式拖輪，適用於US35800機款 Belt driven puller extra heavy duty. Suitable for machines similar to US35800.
PF-FB	四針六線車用 Feed-Off-the-Arm Flatseamer	四針六線車用，適用於各種布料 For use on flatseaming machines. Suitable for all types of fabric.
PY	單針、雙針 Single or Twin Needle	固定於車板，功能同PT Same as PT puller but the PY is fixed to the table.
PYSP	前拉式單針車 Flatbed. Front Puller.	義大利麵專用，固定於車板 For sewing spaghetti straps. Fixed to the table.
PYC	飾縫車 Coverstitch	固定於車板，功能同PT Same as PT puller but for use on coverstitch machines. Fixed to the table.
PK	包縫車用 Overlook	上下輪驅動拉力特強，輪徑55MM，輪子與車針距離200MM以上，適用於薄到極厚物長距離車縫 Powerful upper and lower rollers. Upper roller diameter 55mm. Distance between the roller and the needle is more than 200mm. For thin to heavy duty material.
PK-SP	前拉式包縫車專用 Overlock. Front Puller.	義大利麵專用 For sewing spaghetti straps.
PM	包縫車用 Overlook	側輪安裝在車針左邊，輪徑45MM，適用於厚物布料 45mm Roller diameter Side roller beside the pressure for Heavy Duty.
PG	包縫車用 Overlook	小輪輪徑28MM，適用於薄物布料 Diameter 28mm Roller. For Thin Material.
PR	包縫車用 Overlook	齒形皮帶後送，適用於薄物布料 Feeding By Timing Belt. For Thin Material.
PO	包縫車用 Overlook	齒形上皮帶送，適用於各種編織多層、艱澀及易滑布料 Belt driven. For use with multi-layer, abrasive and silky material.
PO-F	包縫車用 Overlook	POLO領專用，附包邊器，膝部氣動開關及左右活動導布器 Special For Knit Shirt Collars. With Knee Pneumatic Switch to Act the Moveable Folder Right or Left Side.
PW-A		長皮帶式下送料，適用於潛水衣布料 long Belt driven. For sewing diving suits.
PW-B	手臂可動型盲縫車用 Blind Stitch With Moveable Arm	短皮帶式下送料，適用於潛水衣布料 Short Belt driven. For sewing diving suits.
PW-L		長臂型用 Same as PW but for use with long arm machines.

#### 2 ● 輪子材質與外型 ● Roller Material & Figures

代號 Code	P	S	T	B
材質 Material	PU 平面 Polyurethane Plain	鐵齒面 Steel Teeth	塑膠齒面 Plastic Teeth	合成橡膠 Synthetic Rubber
外型 Figure				 210L17mm
		PS、PG 不適用 Not For PS、PG		

※PS、PG、PO 帶式規格不適用  
※Not For PS、PG、PO and Belt Driven Type

#### 4 ● 安裝之針車廠牌機型 ● Adaptable Sewing Machine Brand and Model

#### 6 ● 使用直驅馬達需告知廠牌機型 ● Please advise the brand and model No. of Direct Drive motor in case sewing machine is with DD motor.

#### 3 ● 輪子規格 ● Roller Sizes

單位：mm  
Unit: mm

	D 直徑 Diameter	W 寬度 Width
上輪 Upper roller	55	15, 35, 50
	45	10, 15 (PM 專用) (PM only)
	25	10, 15 (PS 專用) (PS only)
下輪 Lower roller	25	60 (PK 專用) (PK only)
	25	80 (PT、PY 專用) (PT、PY only)
	30	22 (PF 專用) (PF only)

※PW、PR、PO 帶式規格不適用  
※Not For PW、PR、PO Series With Belt Driven Type

#### 5 ● 自動切線及附屬配件編號 ● Auto Thread Trimmer or Other Attachment Device No.

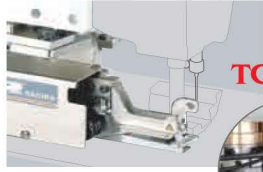
# 氣動式切帶系列產品

## Pneumatic Tape Cutter Series



特殊規格接受訂貨生產  
Special specification Available for custom-made

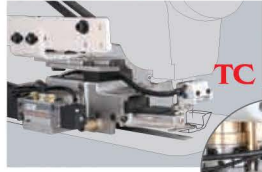
TC M-L25



TC A-L25



TC M-M45



TC A-M45



TC M-H50



TC A-H50



●可活動基座 (標準配件)  
●Moveable bracket (standard parts)



## 訂貨說明 Order Guide TC A - L25 / F / D.D.MOTOR

### 1 ●切帶方式 ●Tape Cutting Way

**M** : ●觸動式切帶  
●Manual Cutting Switch

**E8** : 膝蓋觸動 (標準配備)  
Knee switch (regular parts)

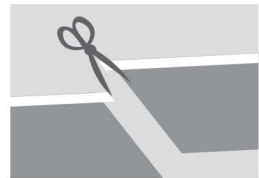
**E11** : 左手觸動 (選擇配備)  
Left manual switch (optional parts)

**E12** : 右手觸動 (選擇配備)  
Right manual switch (optional parts)

切帶  
Cutting tape



TCS L25U (選擇配備)



**A** : ●光電感測式自動切帶: 可自動前、後切帶。含E8膝蓋觸動式切帶 (選擇配件: 左、右手觸動式切帶)

●Auto Cutting by Photo-sensor: Cut before and finish sewing material automatically. Including E8 Knee Cutting Switch (Optional parts: Left or Right manual switch)

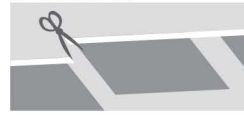


控制面板  
Control panel



光電感測式自動切帶  
Auto Cutting by Photo-sensor

前切 Start cut



前、後切 Start & End cut



### 2 ●切刀規格代號 ●Item No. of cutter

代號 Item No.	切帶寬度 mm Tape Width mm	※切帶能力 ※Cutting Capability
<b>L25</b> 快速切刀 Fast Tape Cutter 薄物用 Light	25 (刃長35) (blade 35)	2 層 Layers
<b>M45</b> 快速切刀 Fast Tape Cutter 中物用 Medium	45 (刃長55) (blade 55)	4 層 Layers
<b>H50</b> 厚物用 Heavy	50 (刃長60) (blade 60)	10 層 Layers

※切帶能力是以14盎司的布料 (工作氣壓: 5kg/cm<sup>2</sup>) 為準, 謹供參考, 購買時要以實際布料狀況為準。

※Cutting Capability is based on 14oz of material for your reference only. (Operating pressure: 5kg/cm<sup>2</sup>) Please consider the exact material condition before ordering.

### 3 ●安裝針車 ●Sewing Machine type

**F** : ●平床車用基座  
●Bracket for Flatbed Machine



**C** : ●飾縫車用基座  
●Bracket for Coverstitch Machine



### 4 ●使用直驅馬達需告知廠牌機型 ●Please advise the brand and model No. of Direct Drive motor in case sewing machine is with DD motor.

## 小型切刀 Compact Cutter

- 車縫中可快速修剪剩餘布料, 並自動收集於集屑袋
- Prompt trimming for rest fabric and collecting fabric to waste bag automatically
- 切刀有效寬度
- Available Cutting Width

TC S-L25



例  
EX.



TC S-L25M



●操作照片  
●Operation photo

TC S-L25M

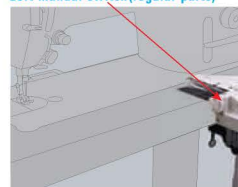


●可切除剩餘布料, 同時做上袖口記號  
●Available for cutting the rest fabric and make aim mark on cuff fabric in the meantime.

例  
EX.



**E13**  
左手觸動開關 (標準配備)  
Left manual switch (regular parts)



●活動夾座固定在工作台上, 裝卸簡便  
●Moveable clamp fixing on table. Easy Installation.

**E8**  
膝蓋觸動開關 (選擇配備)  
Knee switch (optional parts)



集屑袋  
Waste bag

# GTC A SERIES

- 斷頭台式附光電可自動前後切刀，可安裝於各種廠牌多針車，切刀寬度65MM（不附折邊器）
- Guillotine tape cutter available with Photo-sensor for Auto cutting. Suitable for all Brands and Models. The Max. Cutting Width 65mm. (Folder is not included)

## GTC A /TFU16-3AD /STK300

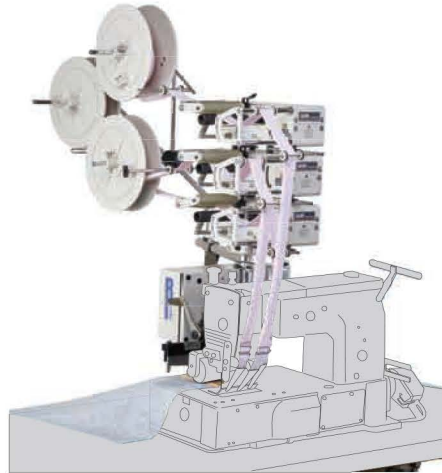
附送料機  
Tape Feeder included

附收衫器  
Stacker included



## GTC A /TFU16-3AD

附送料機  
Tape Feeder included

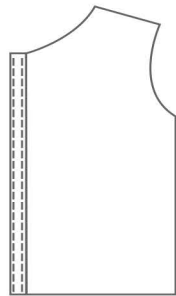


## GTC A



## GRA-1000

門襟專用附切刀、收衫組，可提升1/4日產量  
stacker with cutting assembly makes more than 25% increase in daily production of front-opening sewing



用途：門襟車縫專用  
Application: Stacking and Cutting for Shirts front-opening  
收集長度：由50公分至120公分均可  
Stacking Length: From 50cm to 120cm  
產能：如每英寸14針，一天(八小時)2,400件  
Capacity: 2400 pcs per day (8hrs) if 14 stitches per inch.

## STK-300

多用途收衫器  
versatile stacker

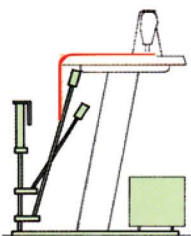


用途：收集襯衫，褲子，套裝等之車縫或壓燙裁片  
Application: Stacking for shirts, trousers, suit...etc.  
收集長度：裁片由50公分至120公分均可  
Stacking Length: Cloth pieces from 50cm to 120cm

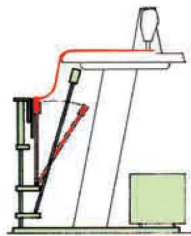
## STK-300 收衫器動作次序

Stacking & Lifting Procedures:

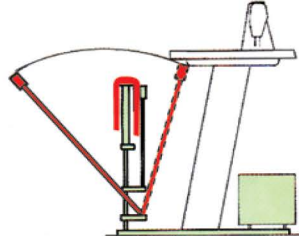
1. 布下降  
Sewing ended



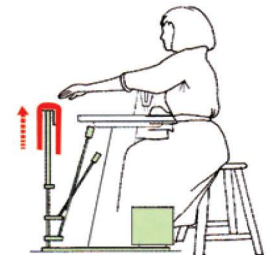
2. 夾布  
Cloth be clipped



3. 甩布  
Cloth be thrown



4. 放布架提升  
Cloth rack be lifted



# 車縫輔助裝置系列

## SUPPLEMENTARY DEVICE



### MD series

#### 機械式鬆緊帶調節裝置

#### Mechanical Metering Device for Elastic Tape

It pulls a great deal by Working with Racing device

**MDL 31-2** 人字車用專用型 (基座固定於機頭上)  
FOR SPECIFIC ZIG-ZAG (Base is mounted on the machine head)



**MDL 30-2** 飾縫車用 (基座固定於車板上)  
FOR COVERSTITCH (Base is mounted on the table)



**MDK 61-2** 包縫車專用型 (基座固定於機頭上)  
FOR SPECIFIC OVERLOCK (Base is mounted on the machine head)



**MDK 60-2** 包縫車 (基座固定於車板上)  
FOR OVERLOCK (Base is mounted on the table)



## MD 訂貨說明

### Order Guide

**MD** L 31 2 **JUKI** LZ2280N - 7

**1** ● 機械式鬆緊帶調節機  
● Mechanical Metering Device for Elastic Tape

**2** ● 分類：  
● Sewing Machine Type :

L : 平床車用      k : 包縫車用  
Flatbed Machine      Overlock

用直驅馬達請告知廠牌機型  
Please advise the Brand and Model if there is with D. D. Motor.

**5** ● 安裝縫紉機廠牌機型  
● Adaptable Sewing Machine and Model

**3** ● 代號：  
● Code :

30.60 基座固並於車板上  
30.60 Base is mounted on the table  
31.61 基座固並於機頭上  
31.61 Base is mounted on the machine head.

**6** ● 自動切線及附屬配件編號  
● Auto Thread Trimmer or Other Attachment Device Number

**4** ● 送帶寬度：  
● Feeding Width :  
2 : 2" (50mm)  
4 : 4" (100mm)



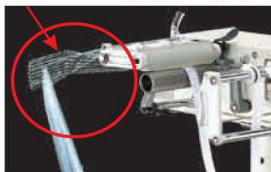
# 車縫輔助裝置系列

## SUPPLEMENTARY DEVICE

**TFU 16-3** 上送型送料機，送料寬度 70mm  
**Upper Tape Feeder, Feed Width 70mm**

**TFU 16-8** 上送型送料機，送料寬度 200mm  
**Upper Tape Feeder, Feed Width 200mm**

機械式防止打結裝置 (標準配備)  
**Mechanical Untangling Device (Regular parts).**



- 能將箱內之鬆緊帶、橡皮帶，加予抖動，以避免糾纏打結。
- To untangle the twisted elastic Tape or cord from the box.



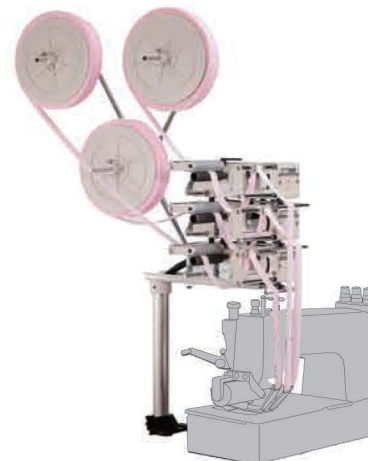
**TFU 16-3/UT-2**  
 上送型送料機 (附電動型防止打結裝置)，送料寬度 70mm  
**Upper Tape Feeder (with untangling motor device). Feed With 70mm**

**UT-2** 旋轉式能更有效防止鬆緊帶打結及糾纏  
**To untangle the twisted or gathered elastic tape by Motor.**



**TFU 16-3/AD**  
 三組主機，可同時送料 1~3 條  
**Triple main device to feed 1~3 Tapes at the same time.**

**AD** ● 例  
 ● Example:



**TFS 26-3** 側送型送料機，送料寬度 70mm  
**Side Tape Feeder, Feed Width 70mm**

**TFS 26-8** 側送型送料機，送料寬度 200mm  
**Side Tape Feeder, Feed Width 200mm**



**K-1 II** 模版製作機  
**Pattern Cutting Machine**



領子 COLLAR	
領子 COLLAR	
袖口 CUFF	

專用配件  
**Special Accessory**

針板 Needle Plate	
送齒 Feed Dog	
押腳 Presser Foot	



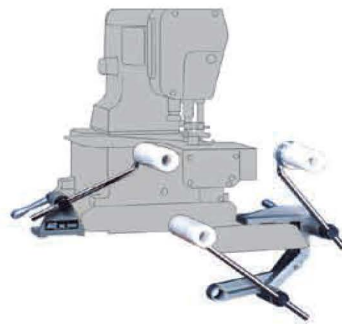
# 高效率省力裝置

## Hi-Efficiency Labor Saving Device

**RTP** 氣動型滾輪擴張裝置  
 Pneumatic Roller Tension Device



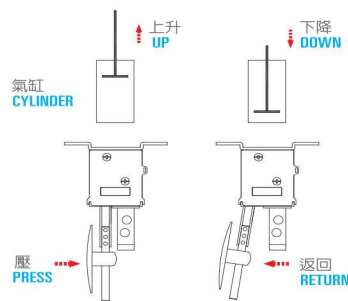
**RTF** 固定型滾輪擴張裝置  
 Fixed Roller Tension Device



**AF 10** 復歸型氣動開關  
 Pneumatic cycle switch



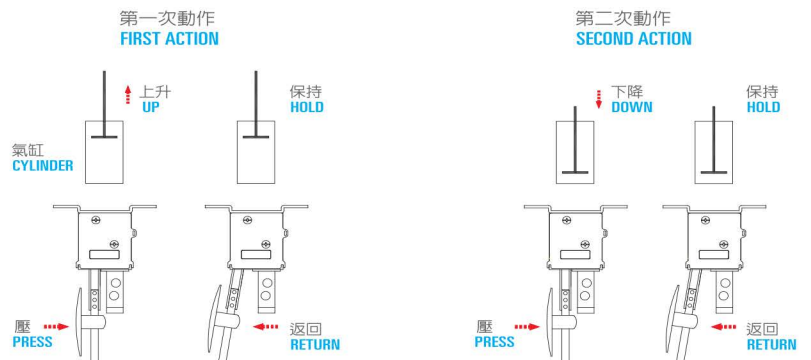
動作圖示  
 ACTION DIAGRAM



**AF 20** 保持型氣動開關  
 Pneumatic hold switch



動作圖示  
 ACTION DIAGRAM



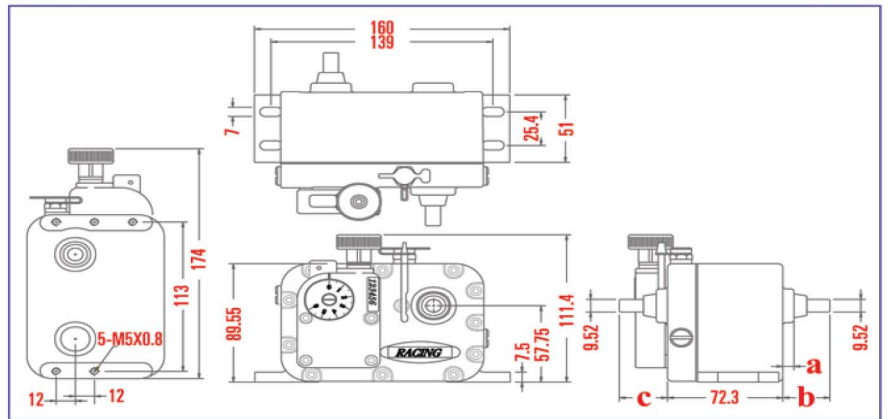
# 變速機 TRANSMISSON

	機型 Model	S-1	P-1	P-2
	入力軸轉數(最高) Input Shaft RPM (MAX.SPEED)	2000	3000	3000
	出力軸轉數(最高) Output Shaft RPM (MAX.SPEED)	430	225	450
	扭力 (kg/cm) Torque(kg/cm)	12	15	15
	重量 (kgs) Weight(kgs)	2	2	2

S-1 A W D -  $\overset{a}{7}$   $\overset{b}{30}$   $\overset{c}{30}$   
 1 2 3 4 5

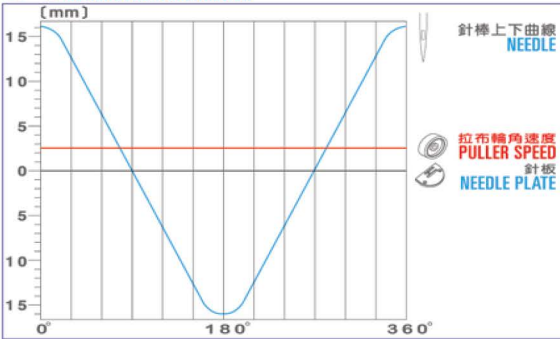
尺寸圖  
Specification

單位: mm  
Unit: mm



1 ● 變速機型  
● Transmission Type

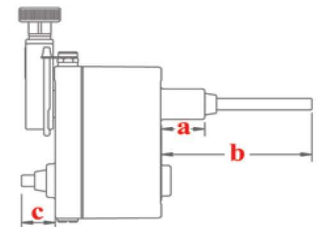
S-1 連續性變速機  
Continuous Transmission



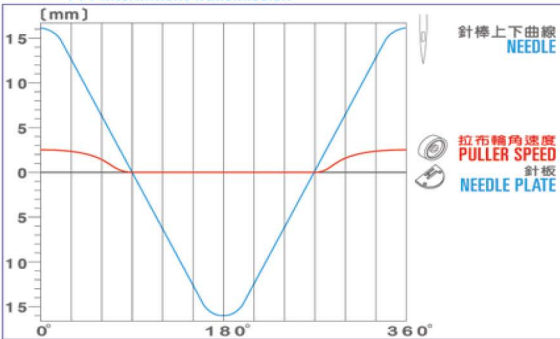
2 ● 出力軸旋轉方向  
● Rotation of Output Shaft



5 ● 變速機入出力軸規格  
● Specification List of Input/Output Shaft



P-1 1:1 間歇性變速機  
1:1 Intermittent Transmission



3 ● 固定座  
● Mounting Base

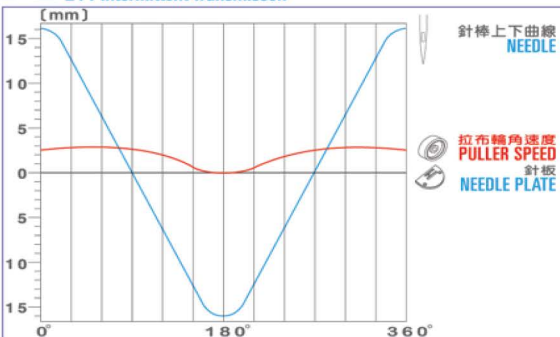


★ 標準品  
Standard Type

單位: mm  
Unit: mm

機型 Type	a	b	c
S-1	★ 7	30	30
	7	88	18
	7	88	30
P-1 P-2	7	102	24
	30	102	54
	★ 30	102	24
	86	182	24
	106	182	24
	86	182	24
	7	52	24

P-2 2:1 間歇性變速機  
2:1 Intermittent Transmission



4 ● 入力/出力軸位置  
● Location of Input/Output Shaft





*Superior*  
SEWING MACHINE & SUPPLY LLC

FOR SUPERIOR'S COMPLETE LINE OF PRODUCTS PLEASE VISIT US ONLINE AT [WWW.SUPSEW.COM](http://WWW.SUPSEW.COM) OR CONTACT ANY OF OUR OFFICES:

NEW YORK  
TOLL-FREE: (800) 274-5808  
PHONE: (212) 691-3400  
FAX: (800) 274-1500

MIAMI  
TOLL FREE: (800) 678-1777  
PHONE: (305) 477-5585  
FAX: (800) 678-0727

LOS ANGELES  
TOLL-FREE: (800) 873-7397  
PHONE: (213) 749-6150  
FAX: (800) 368-6489